

Part number

# CHOT 50.5



## Brief description:

hoods for two levers, size "66.40", side entry, 3/4" NPT, metal version, IP66

### Product description

Version	metal version
Series	hoods for two levers
Product type	with 4 pegs
Variant	side entry
Family	CLASS enclosures
Size	size "66.40"

### Technical data

Material	metal
IP degree of protection	IP66 (and IP69K DIN 40050 - 9)
Cable entry	3/4" NPT

### Further technical details

Weight	198,00 g
--------	----------

### Approvals / Standards

Quality mark	 (type:4/4X/12),  , EAC
Conformity	CQC, CE

### General ordering information

EAN13 code	8015747021111
Tariff number	85369095

### Packaging Information

Packaging length	160,00 mm
Packaging height	128,00 mm
Packaging width	350,00 mm
Packaging weight	1,98 kg
Packaging volume	7,17 dm <sup>3</sup>
Packaging description	Carton box
Packaging quantity	10 Pcs
Packaging EAN code	8015747121729
Sub-packaging weight	0,99 kg
Sub-packaging description	Plastic pakaging
Sub-packaging quantity	5 Pcs
Sub-packaging EAN barcode	8015747121736

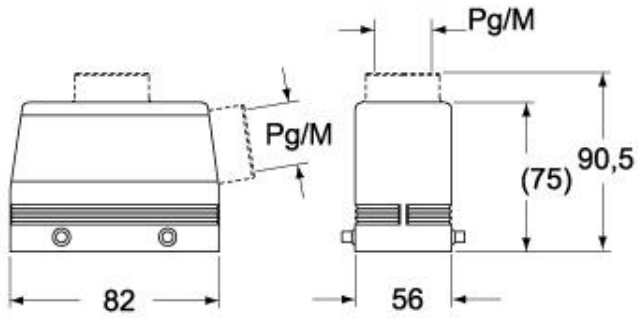
Part number

# CHOT 50.5



Catalogue drawings

**CHO (CAO) CAV - MHO (MAO/MFO/MFV) MAV**



**CAV G - MAV G (MFV G)**

